

339 Woodpark Road, Smithfield, 2164  
 Phone:- 9725 1991 Fax:- 9609 3304  
 Website:- www.precisionsheds.com.au

ALL PRICES INCLUDE GST

**FREE STANDING FLAT ROOF CARPORTS****STANDARD GRADE CARPORTS - Open "C" channel folded purlins**

SIZE (imperial) Height = 8'		SIZE (metric) Height = 2.4 metres		PRICE (Installation DOES NOT include delivery charge)			
Length (of sheet)	Width (across sheets)	Length (of sheet)	Width (across sheets)	All Zinc colour roof	Half Colour (all parts colour. Purlins only galvanised)	Full Colour	Install
15'	7' 8"	4600	2325	910	1267	1510	570
15'	10' 2"	4600	3080	1240	1408	1703	570
18'	7' 8"	5500	2325	1180	1351	1623	570
18'	10' 2"	5500	3080	1330	1505	1830	675
18'	12' 8"	5500	3835	1575	1755	2180	675
18'	15' 3"	5500	4590	1720	1910	2385	1005
18'	17' 9"	5500	5345	1865	2062	2595	1165
20'	10' 2"	6100	3080	1450	1628	2003	760
20'	12' 8"	6100	3835	1730	1916	2347	925
20'	15' 3"	6100	4590	1890	2092	2642	1105
20'	17' 9"	6100	5345	2065	2268	2883	1300
20'	20' 3"	6100	6100	2553	2560	3288	1460

**HEAVY DUTY GRADE CARPORTS - Spantec Box Beam**

SIZE (imperial) Height = 10' 10"		SIZE (metric) Height = 3.0 metres		PRICE (Installation DOES NOT include delivery charge)			
Length (of sheet)	Width (across sheets)	Length (of sheet)	Width (across sheets)	All Zinc colour roof	Half Colour (all parts colour. Purlins only galvanised)	Full Colour	Install
20'	10' 2"	6100	3170	1820	2132	2488	900
20'	12' 8"	6100	3925	2300	2685	3153	1120
20'	15' 3"	6100	4680	2420	2861	3394	1340
20'	17' 9"	6100	5435	2640	3036	3633	1555
20'	20' 3"	6100	6190	3120	3588	4298	1780
20'	22' 9"	6100	6945	3702	4244	5015	1990
20'	25' 4"	6100	7700	3886	4433	5268	2220

**Notes:- For Supply Only:**

- All carports supplied as kit form come with screws, rivets, bolts and welded floor plates.
- Posts supplied are 2.4m long c/w welded floor plates or 3m long if posts are to be concreted. If longer posts are required add:
  - \*\*\* Galvanised - \$25 per metre per post.
  - \*\*\* Powder Coated - \$35 per metre per post.
- 1 x gutter, 1 x white PVC downpipe, 1 x nozzle and 2 x elbows are included in price.

**For Installation:**

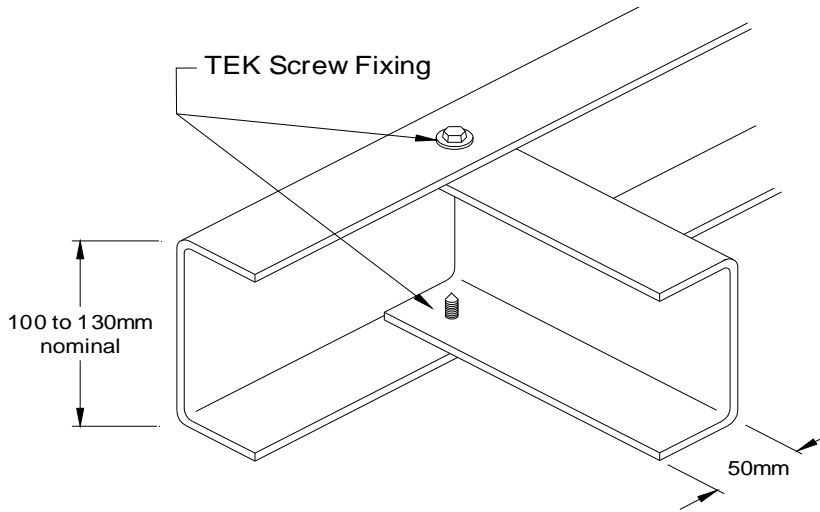
- The above installation charges allow for bolting the posts to a pre-existing concrete slab.
- If concreting posts into ground is required, add \$60 per post.
- We connect the downpipe to the gutter, but DO NOT connect the downpipe to the stormwater. This is to be done by others.
- Extra Height Carports are subject to additional installation charges as per the following:-
  - \*\*\* 3.0m to 3.5m - add \$8.00 per square metre.
  - \*\*\* 3.5m to 4.0m - add \$12.00 per square metre.
- Delivery charges **ARE NOT** included in installation price. This is dependant on the location of suburb.
- Pricing of carports where installation is to be done by this company will be subject to a site inspection.

**General:**

- Price per metre for Polycarbonate sheet \$20.00
- These carports **ARE NOT** designed for pedestrian loading (standing or walking on).
- Precision Aviaries and Sheds will provide a plan view of carport only. We **WILL NOT** provide council submittal, council approval or property drawings. This is to be done by the customer.
- MINIMUM CANCELLATION FEE ON ALL ORDERS IS \$50.00.
- Pricelists are subject to change without notice.

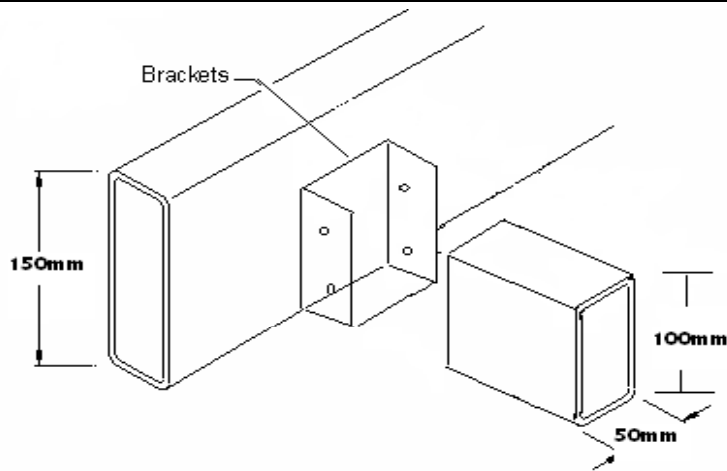
# CARPORT SPECIFICATIONS

---



## Standard Grade

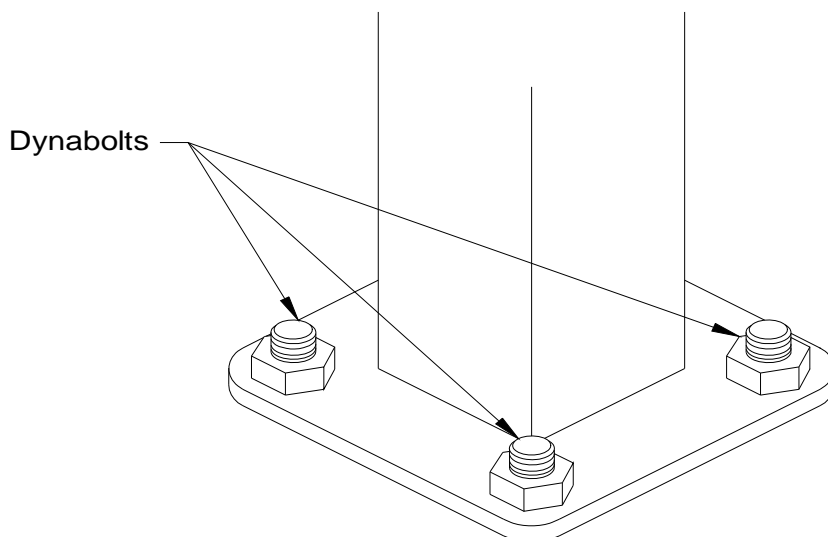
TEK Screw Fixing - 12gge screw  
Channel Size - 50 x 100 to 130 (nominal) x 50  
Channel Thickness - 1.55mm  
Roof Sheet - "Trimdek" 0.42mm Hi-Ten  
Posts - 65x65 RHS x 1.6mm thick  
Gutters and Fascia - 0.55mm thick  
Downpipe - 50mm dia PVC



## Heavy Duty

Bolted with Heavy Duty Brackets  
Channel Size - 50 x 150 x 50  
Channel Thickness - 1.5mm to 1.9mm.  
Roof Sheet - "Trimdek" 0.42mm Hi-Ten  
Posts - 65x65 RHS x 1.6mm thick  
Gutters and Fascia - 0.55mm thick  
Downpipe - 50mm dia PVC

## BOLT DOWN METHOD



Welded Floor Plate Fixing